

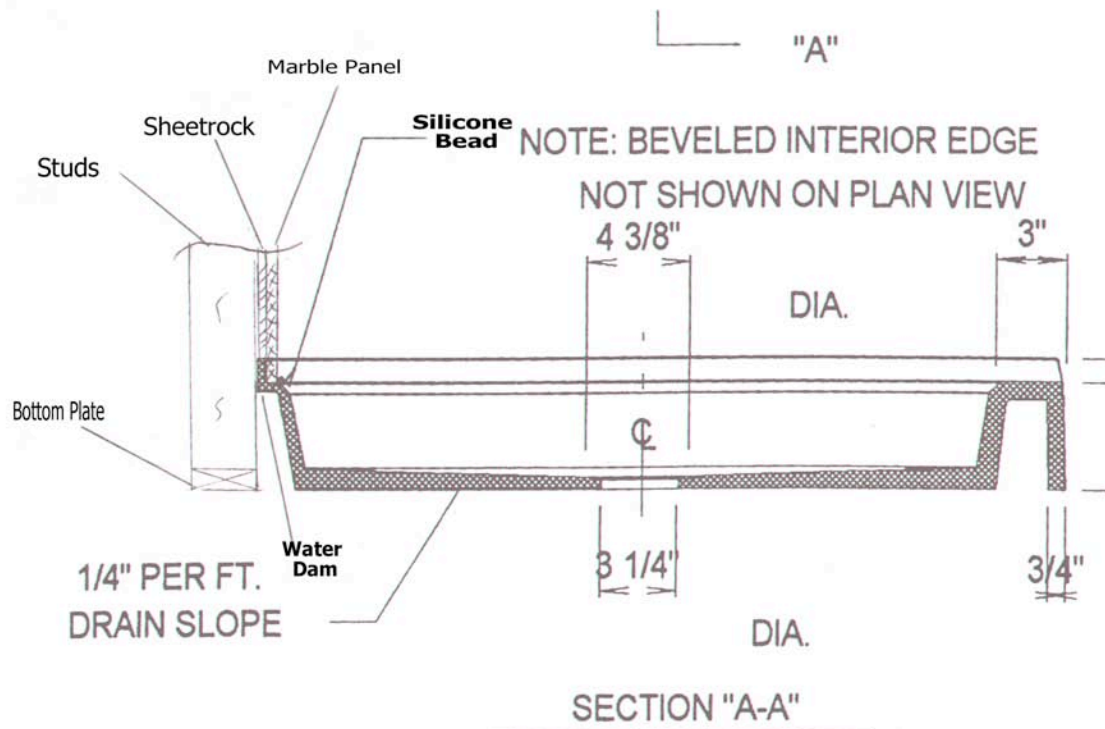


111 Lehigh Street Macungie, Pa. 18062 Phone: 610-966-3484 Fax: 610-965-5743

INSTALLATION INSTRUCTIONS FOR SHOWER BASES

All shower bases regardless of the type have a flange or water dam on all wall sides. The marble panel is to be installed in front of the water dam as indicated by the drawing below:

Note: Installation instructions for Wall Panels & Accessories are available upon request.



Installation of Neoangle Shower Base

The simplest to install, because there are only 2 sides against the wall.

1. The shower base is meant to be installed with the water dam in contact with the studs or framing. So install pre drywall or cut drywall to accept the shower base.
2. Measure off from wall where drain should go, cut hole in floor to accept drain.
3. Lay shower base in place and check level at top of shower base. Place shims to achieve level, nail shims to floor, remove base and mix mortar and sand, put enough mix on floor to level base and wiggle shower base around until its down to the shims. Base should be supported evenly and not wiggle when you step in it.
4. When the mortar is dry remove shims.

Installation of Standard Rectangular Shower Bases/Custom Integral Shower Bases

1. Installation basically the same as the Neoangle but now we have 3 walls around it. Check measurement of opening, cut hole in floor for drain. It's easiest to install in new construction because you can usually get to most sides through the walls. In remodeling, you may have to make a level line on the walls and see how far out of level the base is going to be before sliding into place.
2. Shim to level, remove base, mix and put mortar on floor and replace base, wiggle down to level against shims, remove shims from front when mortar is dry.